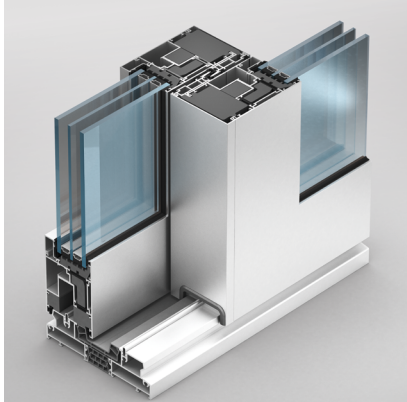




ALT SL160



Lift and slide door
mounting instructions



Contents

General information	2
Information icons	5
Door drawing	5
Assembly of ALT SL160 system	6

General information

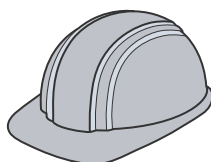
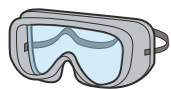
The proper door assembly is a main condition for the high performance of the product. The recommended step-by-step installation process of ALT SL 160 door is shown in this manual. All the existing norms and regulations applicable to the installation of lift and slide doors must be strictly observed. The contents of this Instructions can not be the basis for legal claims. ALUTECH keeps the right to make changes and additions to the lift and slide door structures as well as to the present Instructions.

1. Security measures

- Read and fully understand the mounting instructions before starting work.
- Do not work alone. Two or more people are required. Use safe ways to lift large and heavy structures.
- Be careful while handling the glass. Broken or cracked glass can cause serious injury.
- Use protective equipment (for example, goggles, gloves, ear protection etc.).
- Use safe hand/electric tools and follow the assembly instructions.
- Be careful when working at height.

Only qualified and authorized staff must install the door. The national safety rules and regulations must be strictly observed while making the installation.

Protective equipment



2. Aperture requirements

Prepared apertures must meet the following requirements:

- Apertures must be rectangular in shape.
- The aperture surfaces must be smooth, without plaster infiltration and cracks.
- Any deviation of the working surfaces from the vertical and horizontal lines should not exceed 0.5 mm/m, but not more than 3 mm.
- The space required for the door installation must be free of heating and ventilation pipelines, etc.

3. Frame installation rules

- The frame should be placed symmetrically to the vertical axis of the aperture.
- While making the frame assembly, its components must be vertically and horizontally leveled.
- The lower supporting part of the frame should adjoin with the floor along the entire length of the aperture. The local gaps of not more than 5 mm as well as the slopes with a total deviation of not more than 5 mm from the horizontal level are acceptable. These deviations must be eliminated by the installation of the gaskets in the fixing points.
- The difference between the lengths of the diagonals, measured at the end points of the door frame, should not exceed 2 mm.
- The frame must be securely fixed and does not pose a danger to human life and health.

The fixing elements should be selected in accordance with the material used for the apertures. Screws must be made of steel with no less than 9 microns of anti-corrosion coating. The strength class of the screws is not less than 5.6. All fasteners must be resistant to corrosion.

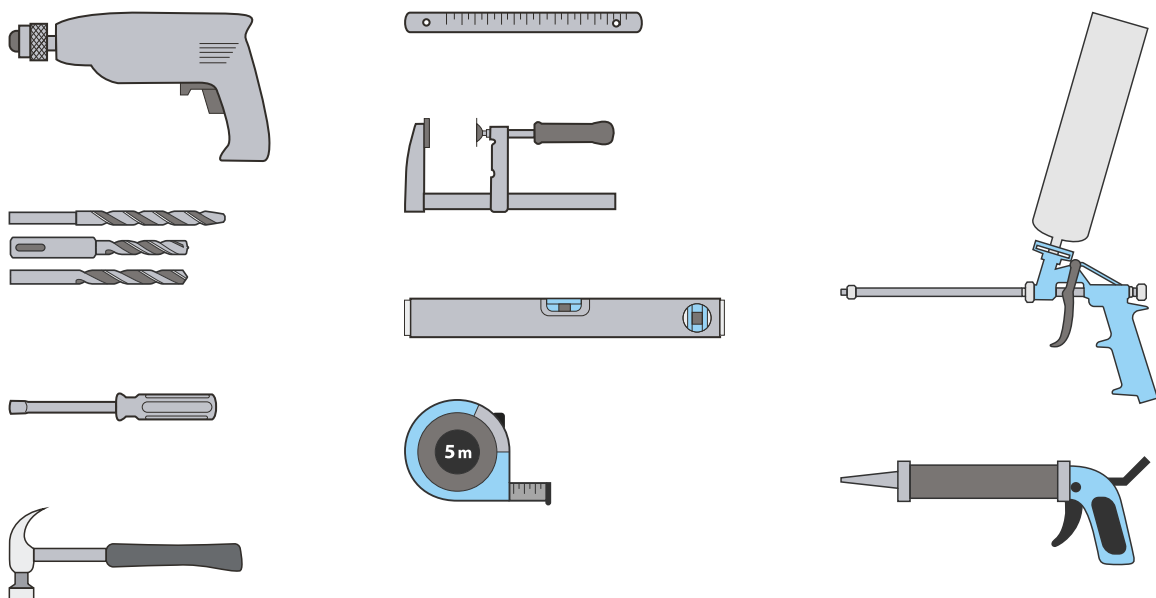
4. Door installation

It is recommended to make the visual examination of the door for:

- The correct and full range of the ordered material (size, opening size, color, accessories, glazing, etc.).
- The integrity and availability of all system components.
- The tight corner joining, absence of cracks, holes, missing areas and/or other damages. The aperture as well as rough (finished) floor must be completely prepared before the door installation.

It is necessary to ensure proper waterproofing, steam isolation, and effective insulation of the joint in accordance with the project documentation. In case of having any construction works in the area of the lift and slide door installation, the door itself should be protected from splashes of mortar, cement, gypsum, aggressive substances (acids and alkalis), paint, etc.

Tools



5. Door adjustment and testing

The profile protective film should be removed immediately after completing of the installation work. Impure areas of the door should be cleaned. Cleaning can be done with pure water or non-aggressive detergent solutions using a sponge or a soft cloth.

Do not use abrasive cleaners or products containing alcohols.

The working capacity of all the active sashes must be checked by the five times repeating of the following operations: lift the sash—move back—pull down.

For the doors with the electric motor, check the operation of the automatic in all programmed modes. A complete removal of the protective film should be done immediately after the completing of the installation.

6. Door delivery

The assembled door delivery to the customer is carried out in the following order:

- Representative of the installing company makes a full demonstration of the door operation.
- Maintenance documentation issue.

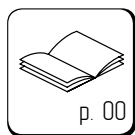
Information icons



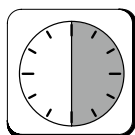
Attention



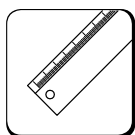
Replacement is possible



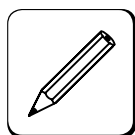
See page



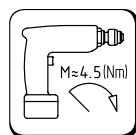
Hold for 30 min



Measure



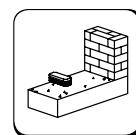
Mark



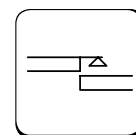
Tightening torque



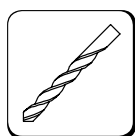
Clean the surface



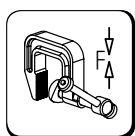
Clean the aperture



Flatness



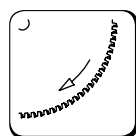
Drill



Tighten



Use a key



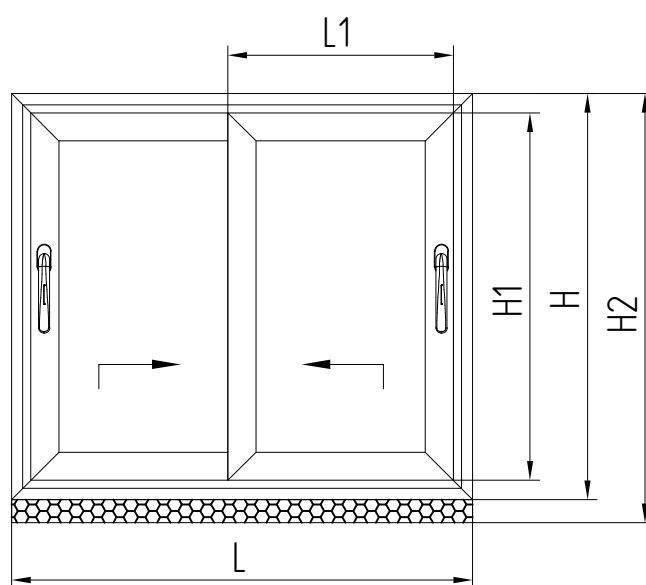
Cut

Door drawing

- H - frame height
- H1 - sash height
- H2 - door height with supporting profile
- L - door width
- L1 - sash width

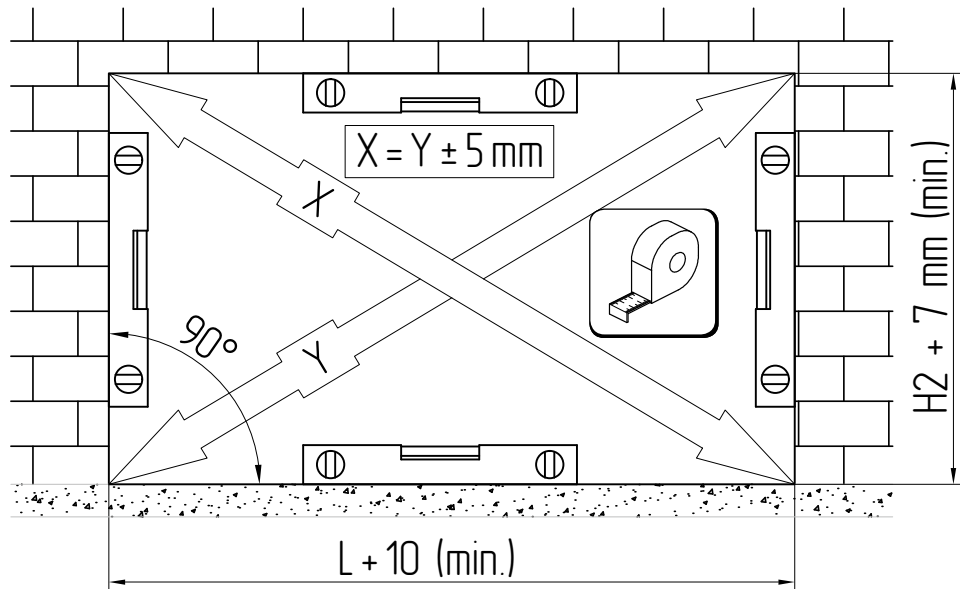
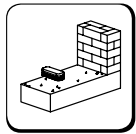


$$\frac{H1}{L1} \leq 2.5$$



Assembly of ALT SL160 system

1

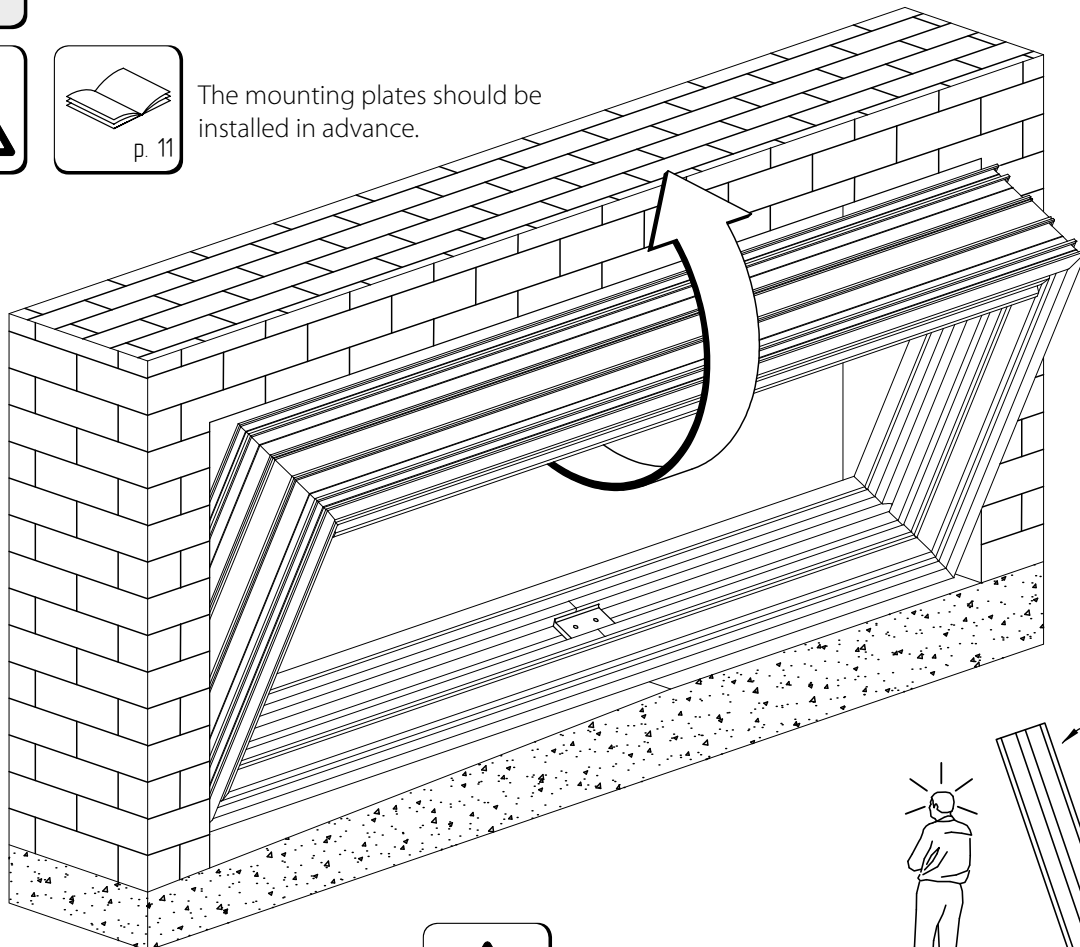


2

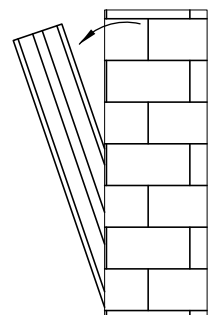
The aperture should be prepared in accordance with the project documentation before fitting the frame.



The mounting plates should be installed in advance.

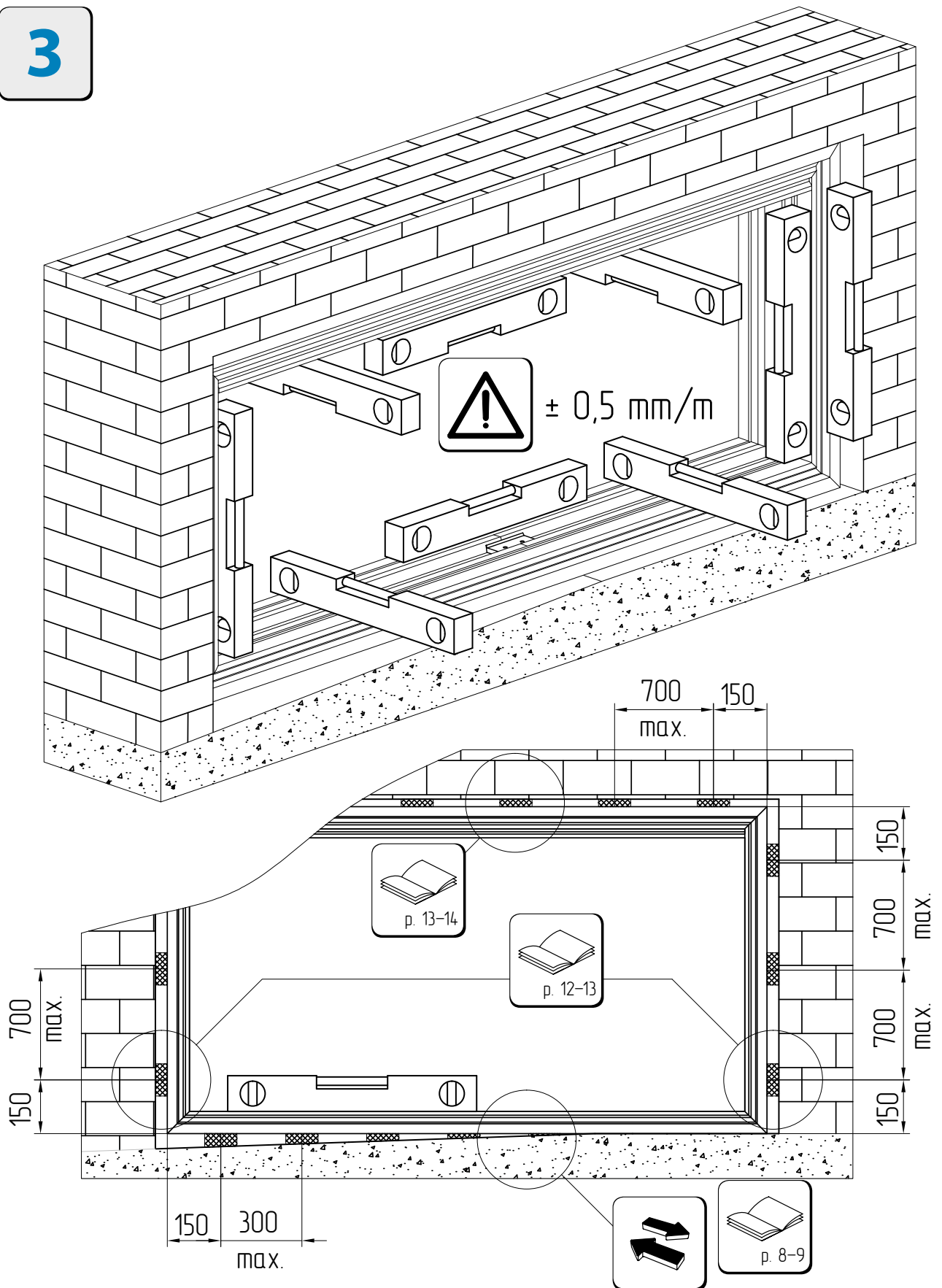


Do not leave the structure unsecured.



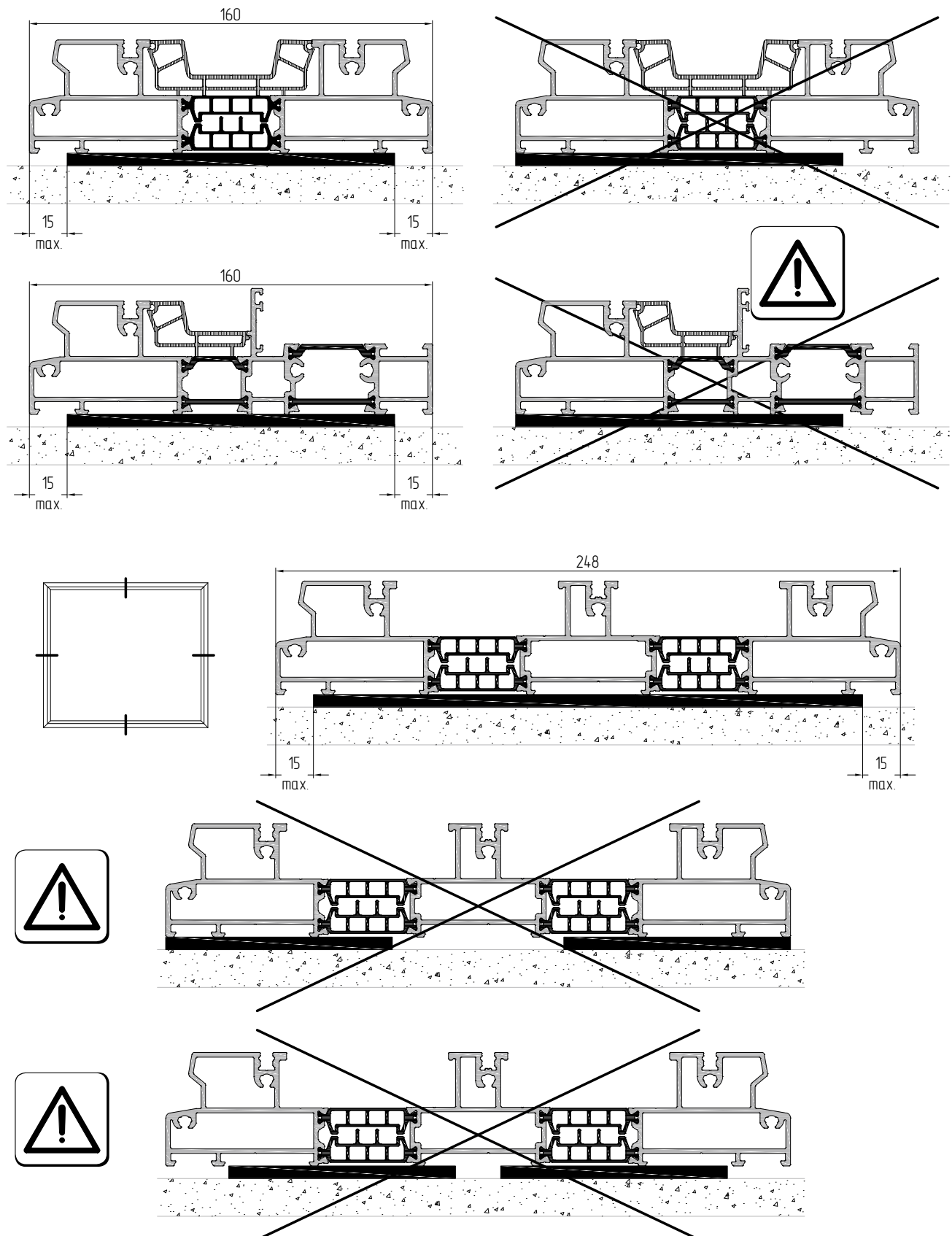
Assembly of ALT SL160 system

3



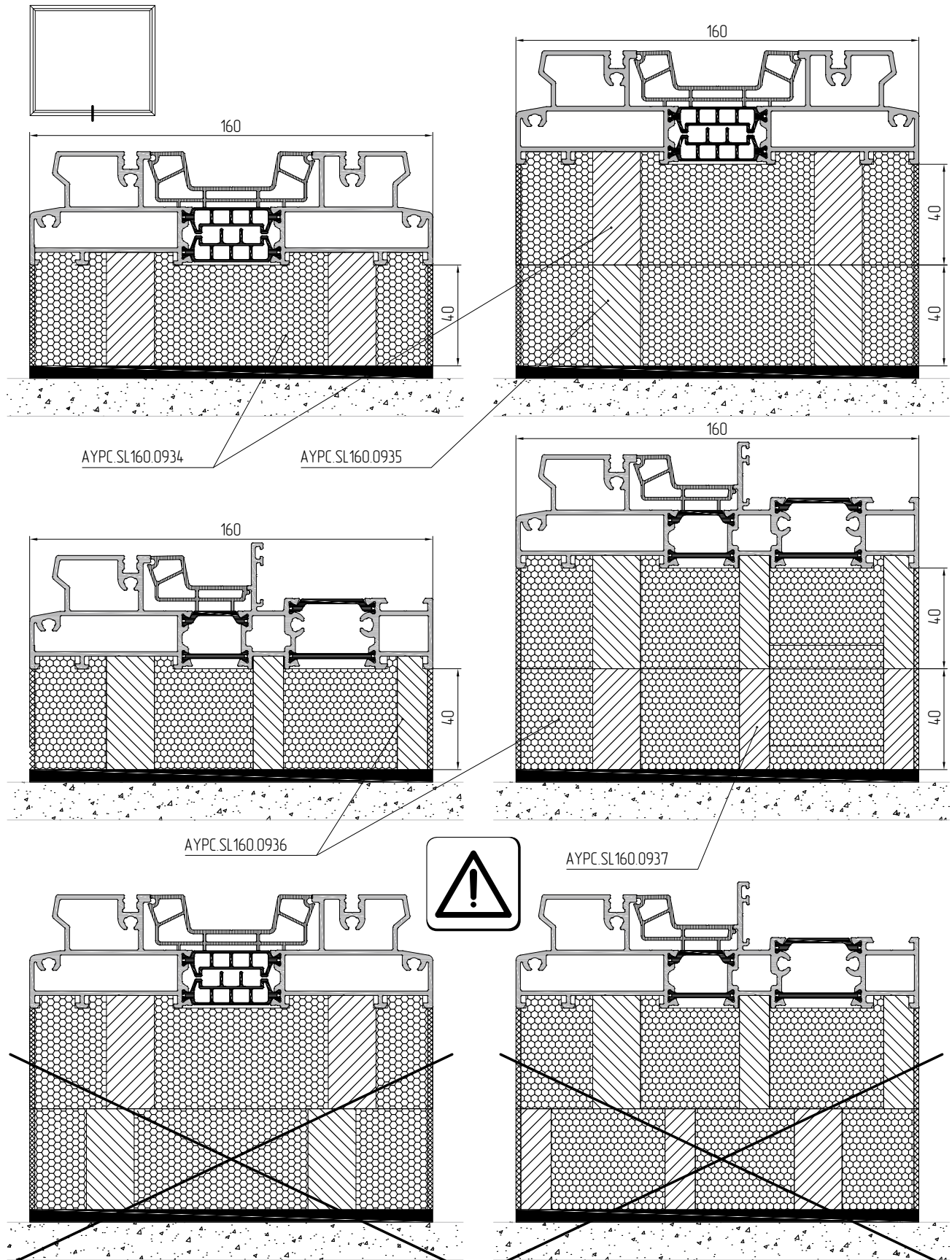
Assembly of ALT SL160 system

Installation scheme of bearing and distance supports



Assembly of ALT SL160 system

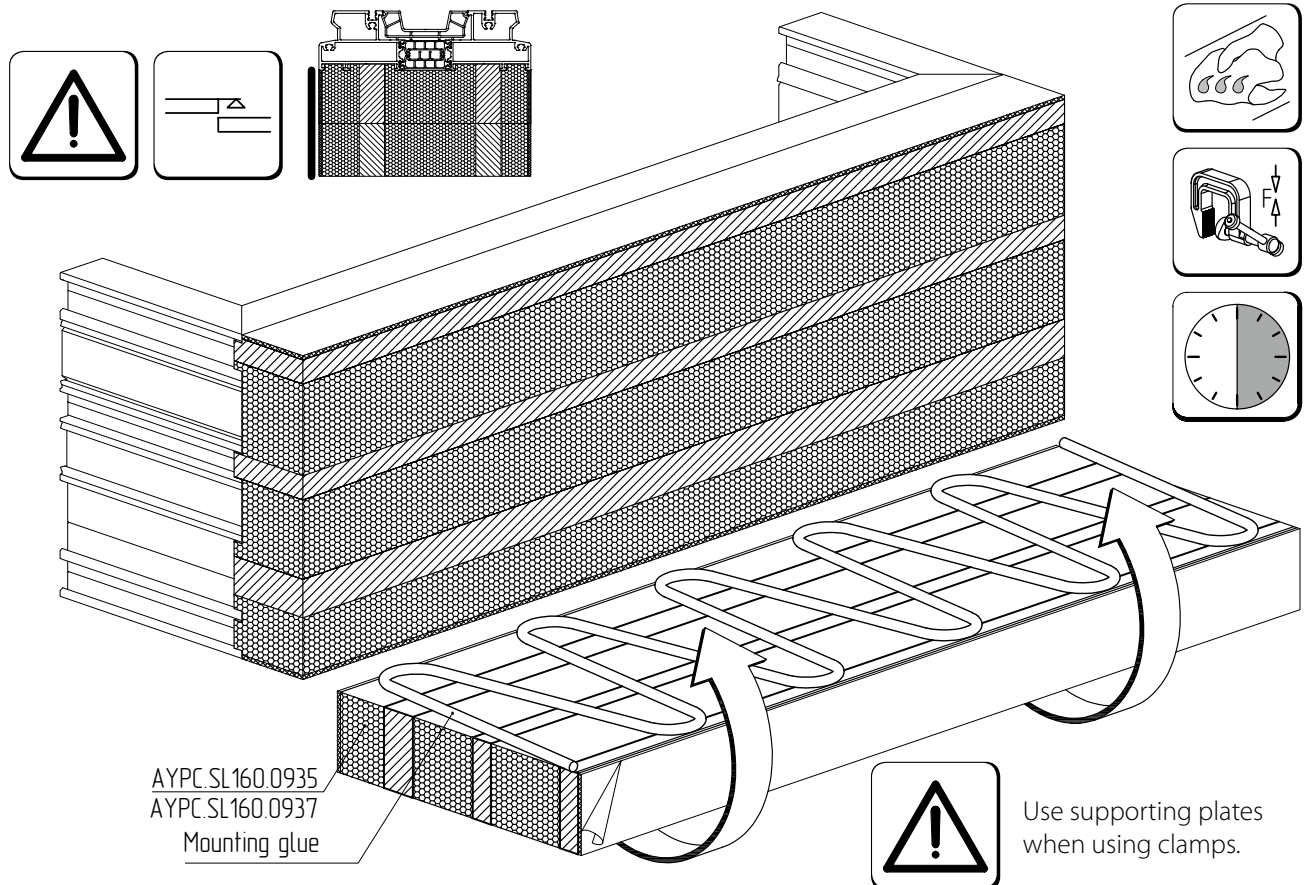
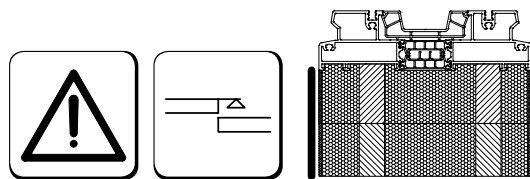
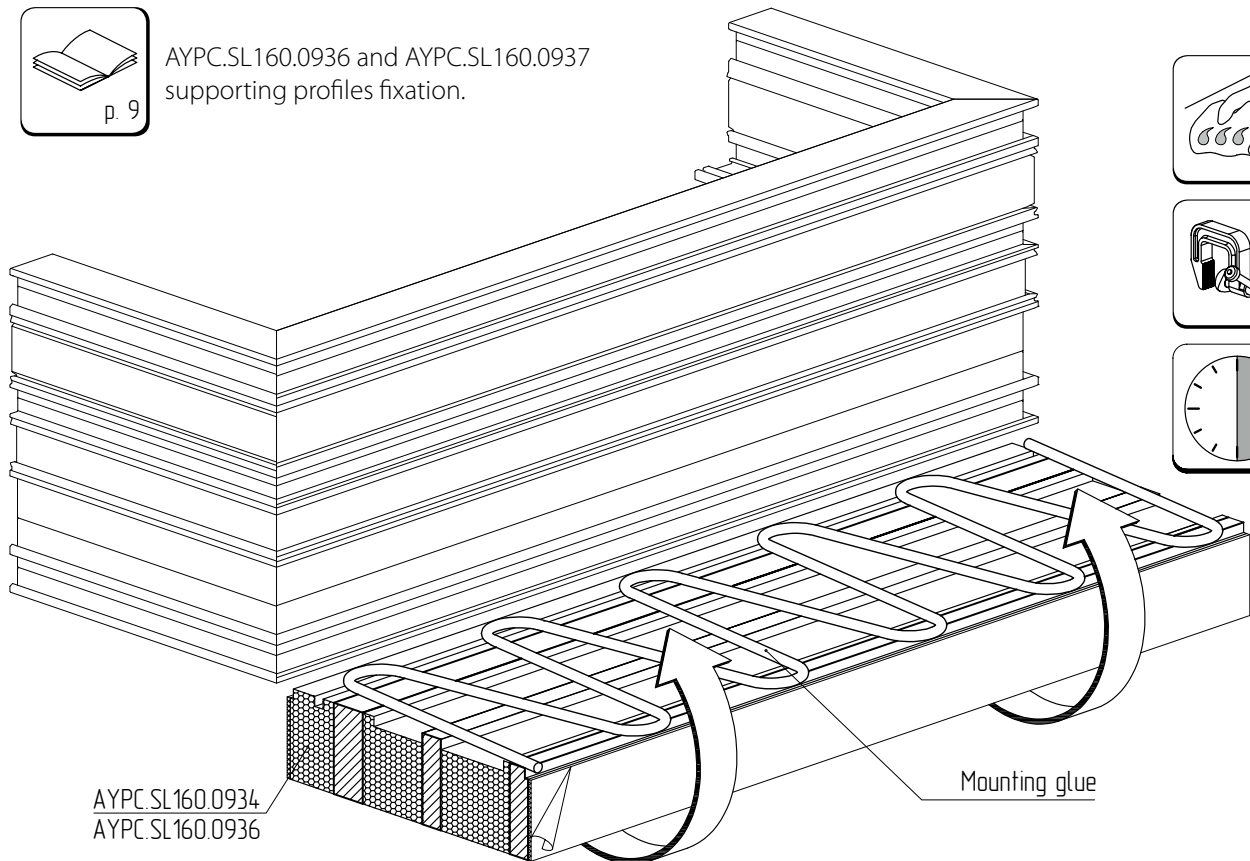
Supporting profiles on the door bottom installation scheme



Assembly of ALT SL160 system



AYPC.SL160.0936 and AYPC.SL160.0937
supporting profiles fixation.

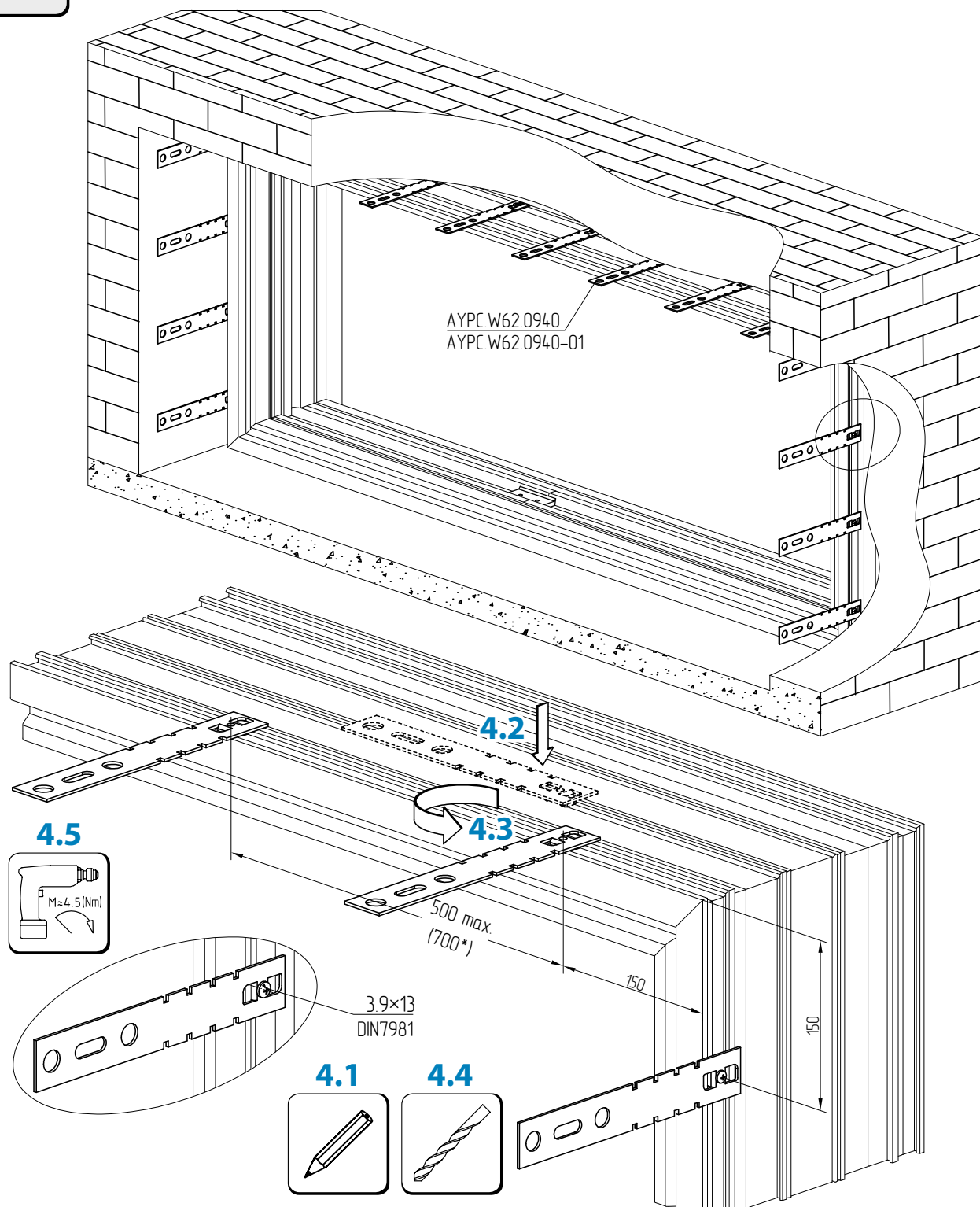


Use supporting plates
when using clamps.

Assembly of ALT SL160 system

4

Requirements for fixing the frame into the opening are the same for the mounting plates and the anchors (please refer to pages 12–13).

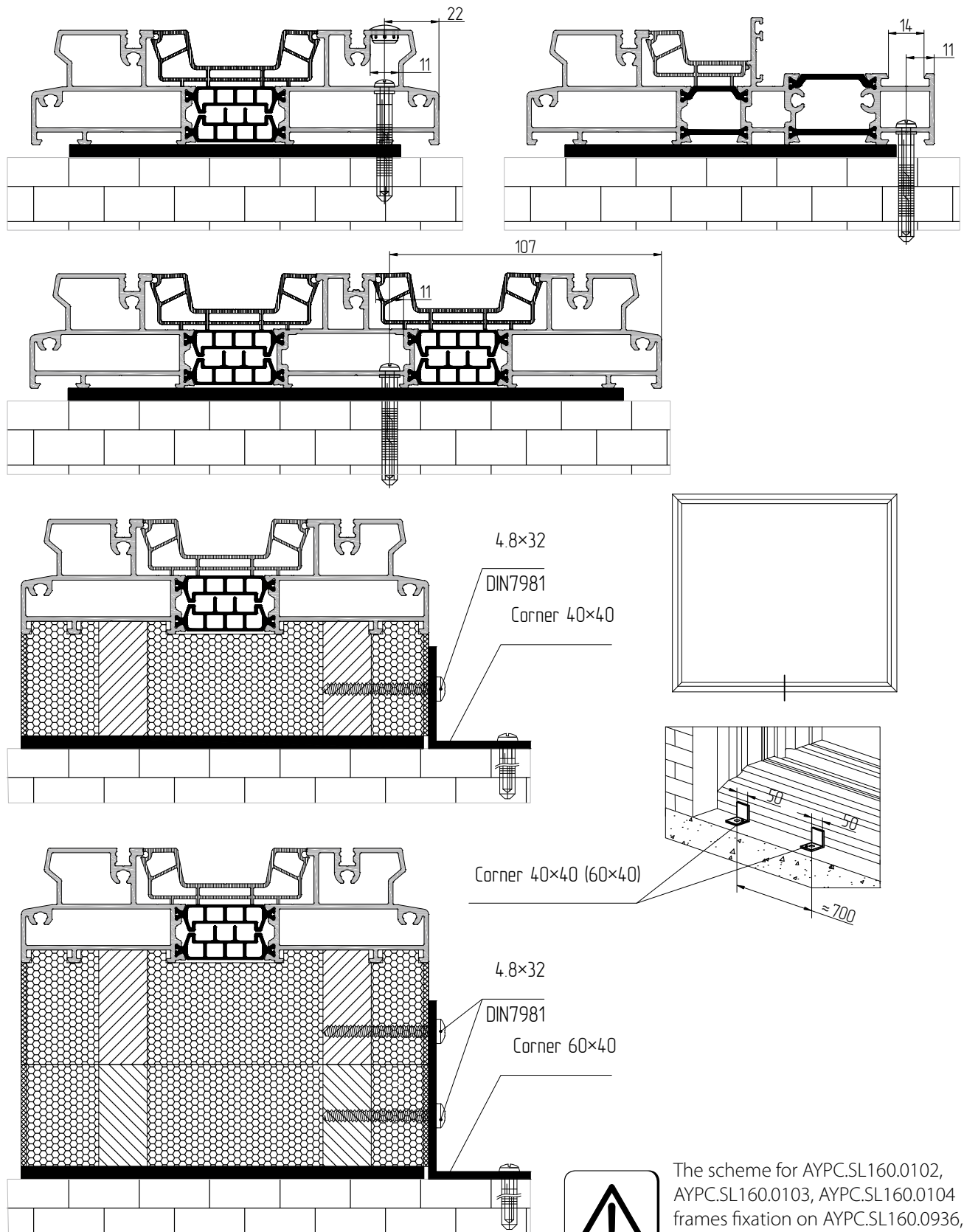


Type of fastening elements should be selected in accordance with the wall material. Fixing points (on the mounting plates or anchors) should be made in the area of the distance support installation.

* When using metal anchors.

Assembly of ALT SL160 system

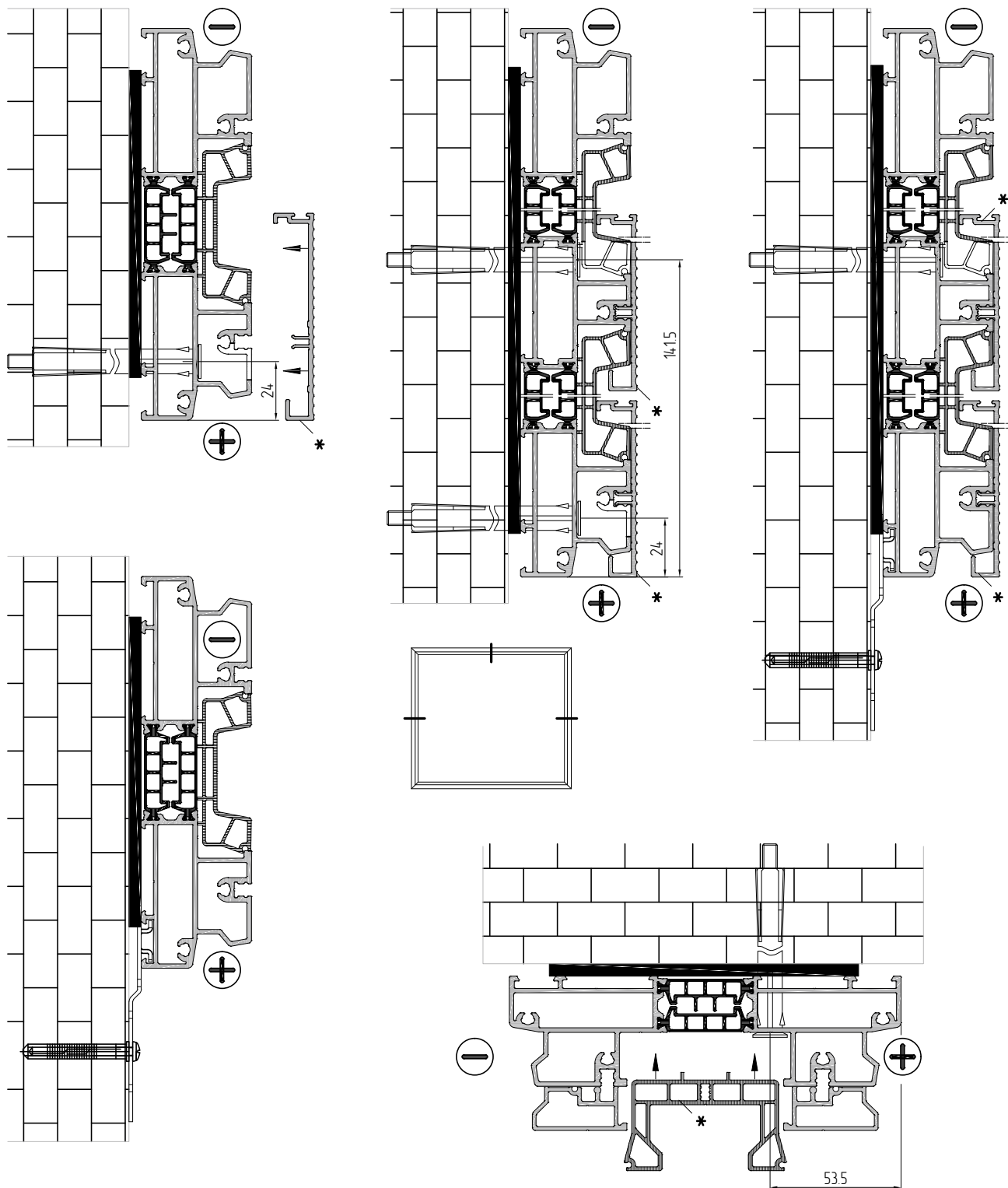
Door installation options



The scheme for AYPC.SL160.0102, AYPC.SL160.0103, AYPC.SL160.0104 frames fixation on AYPC.SL160.0936, and AYPC.SL160.0937 supporting profiles is the same.

Assembly of ALT SL160 system

Door installation options

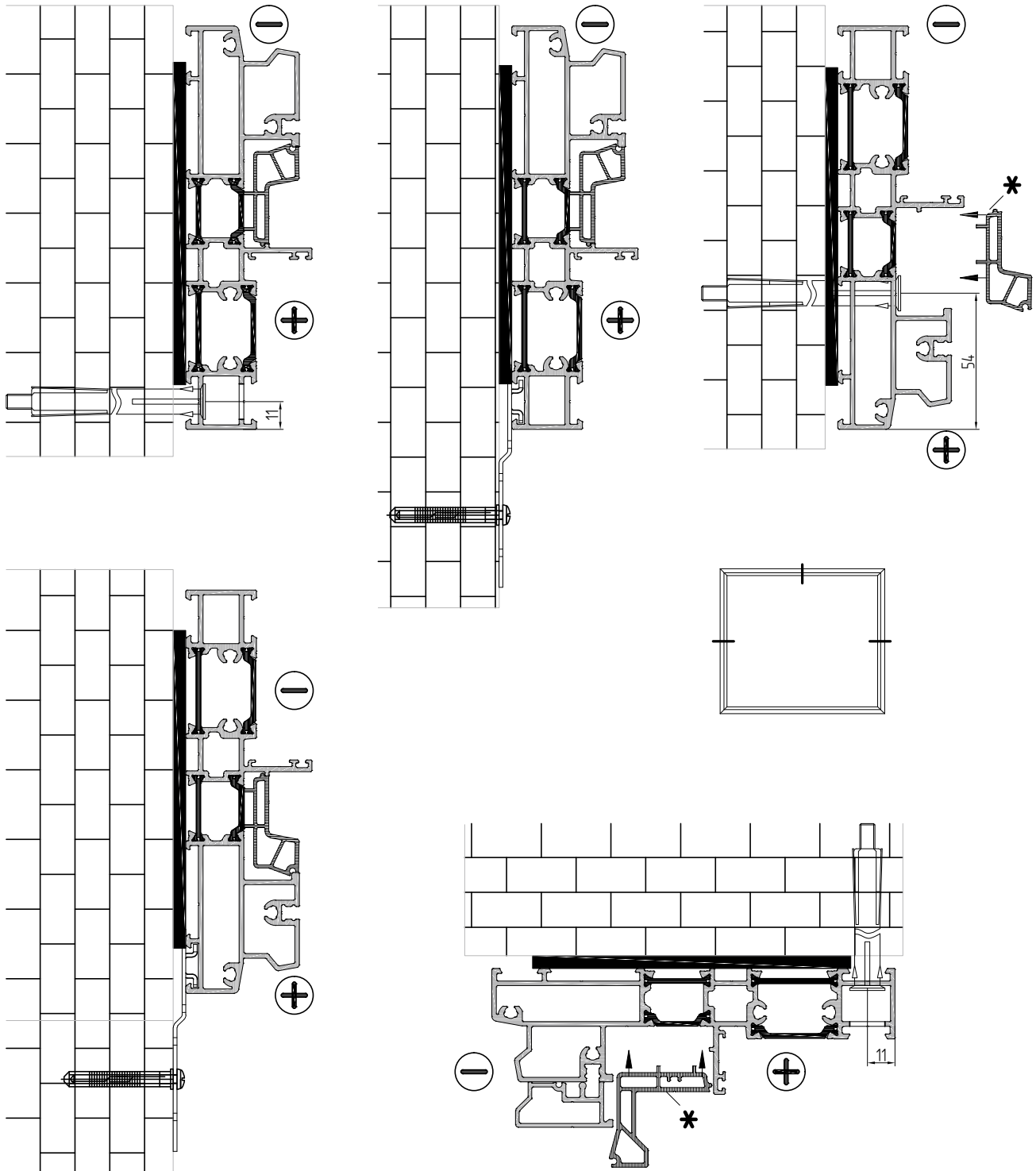


Make the fixing holes in the area where the distance supports are fitted.

* Install after the door mounting into the opening in accordance with the technical manual. The type of the fasteners should be selected depending on the wall material

Assembly of ALT SL160 system

Door installation options

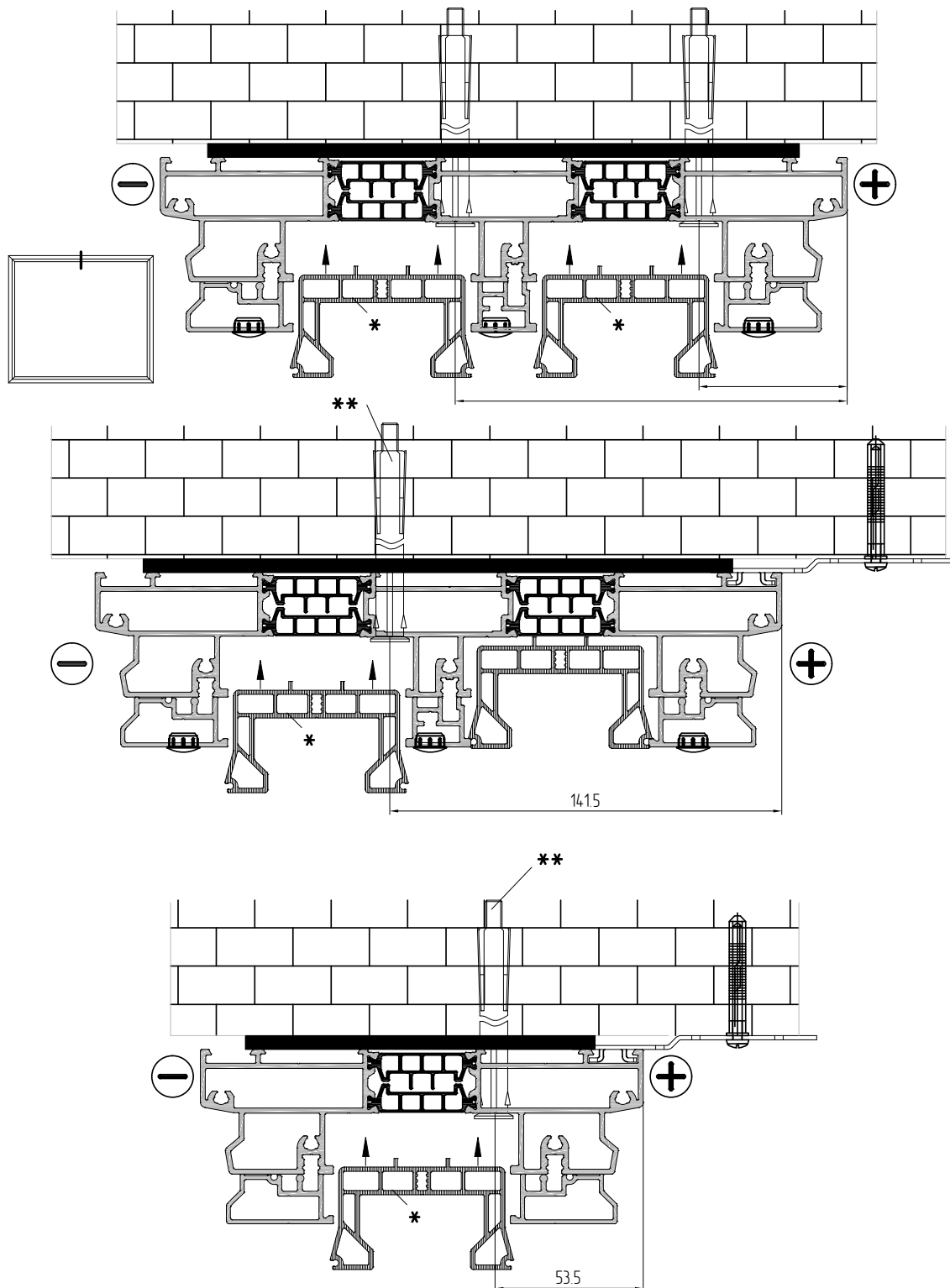


Make the fixing holes in the area where the distance supports are fitted.

* Install after the door mounting into the opening in accordance with the technical manual.
The type of the fasteners should be selected depending on the wall material

Assembly of ALT SL160 system

Door installation options



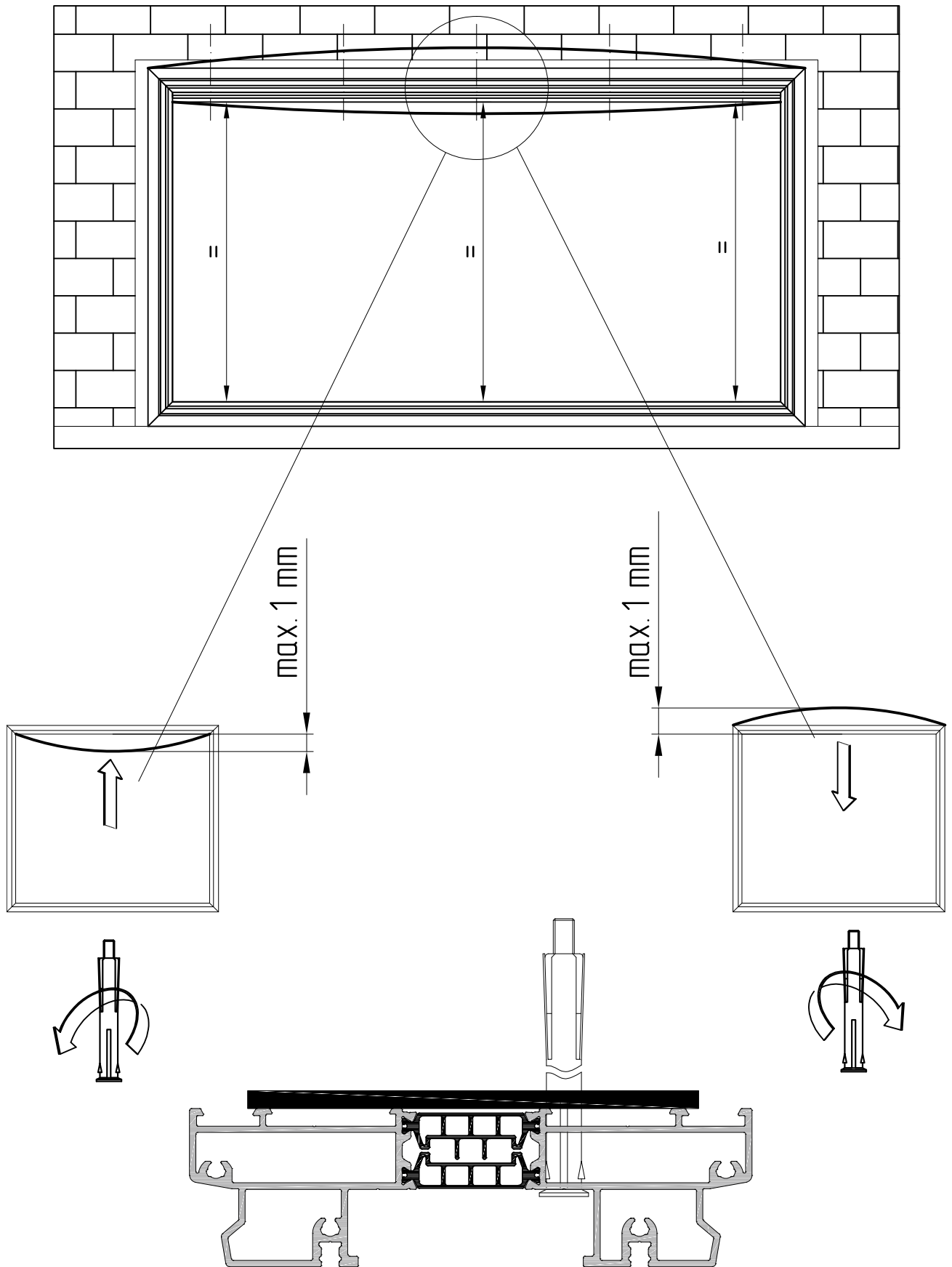
Make the fixing holes in the area where the distance supports are fitted.

* Install after the door mounting into the opening in accordance with the technical manual.

** See page 16.

The type of the fasteners should be selected depending on the wall material.

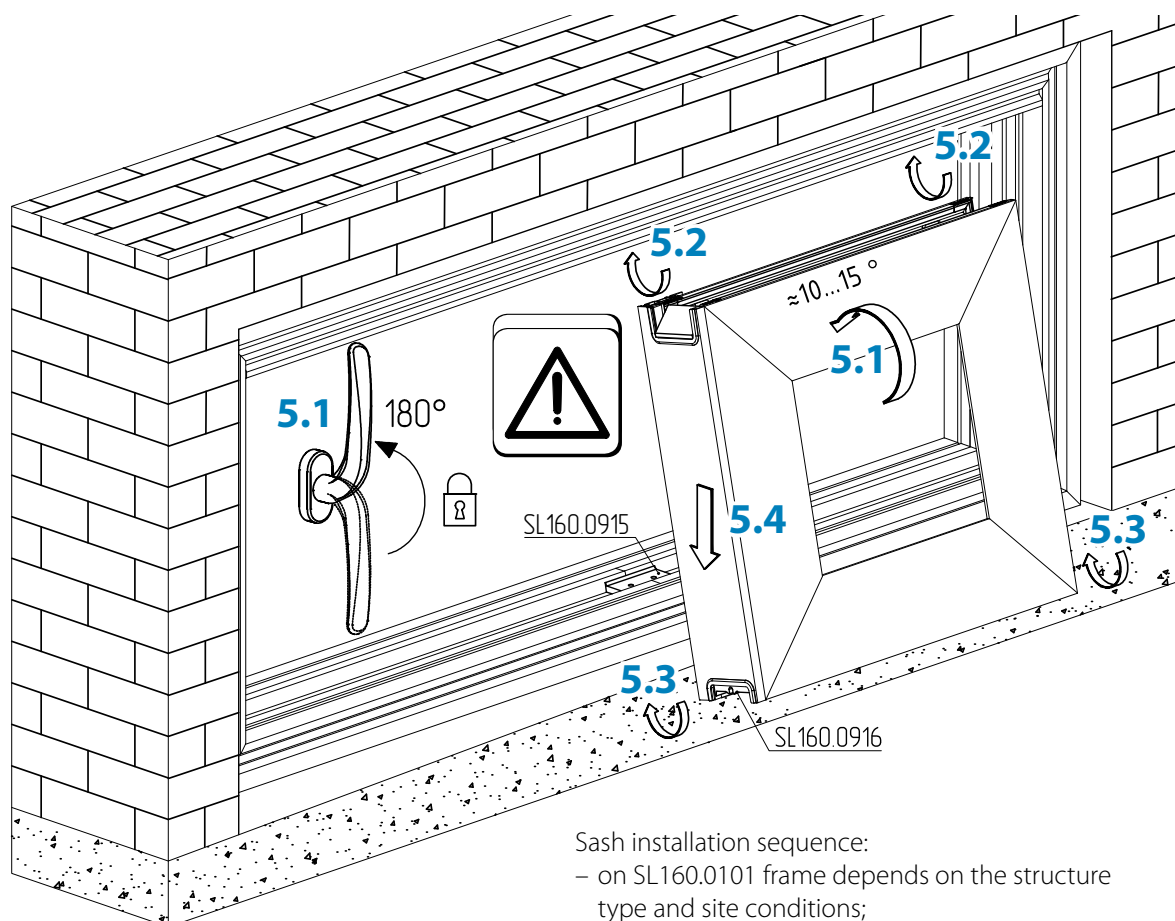
Assembly of ALT SL160 system



Assembly of ALT SL160 system

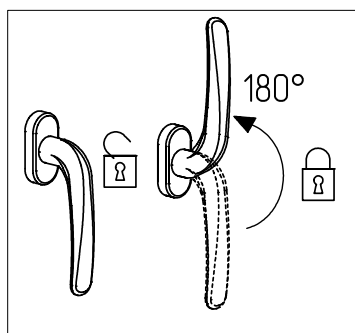
5

The sealing contour as well as the accessories (SL160.0916) should be checked before the sash installation. If there is a fixed sash try to install it as close as possible to the frame ledge profile to avoid the collar (SL160.0915) displacement. The sash has to be lift slightly and moved.

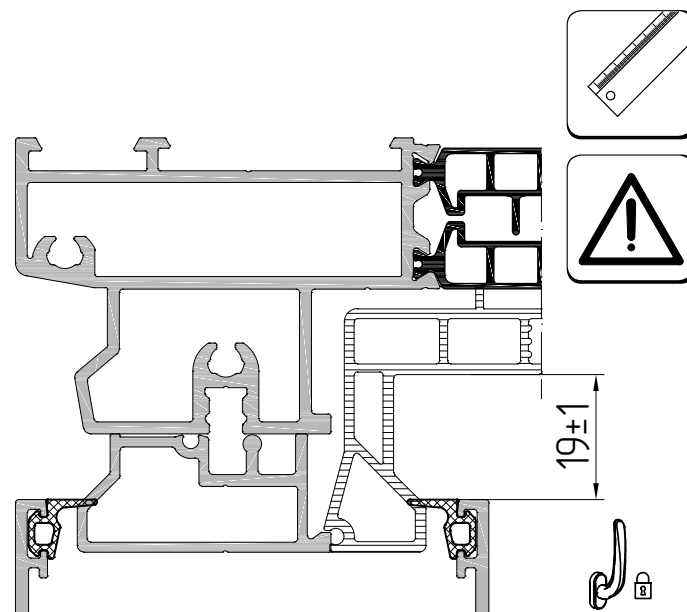


Sash installation sequence:

- on SL160.0101 frame depends on the structure type and site conditions;
- on SL160.0102 frame—outside;
- on SL160.0103 frame—inside.



The sash should run smoothly, without jerks and jams.



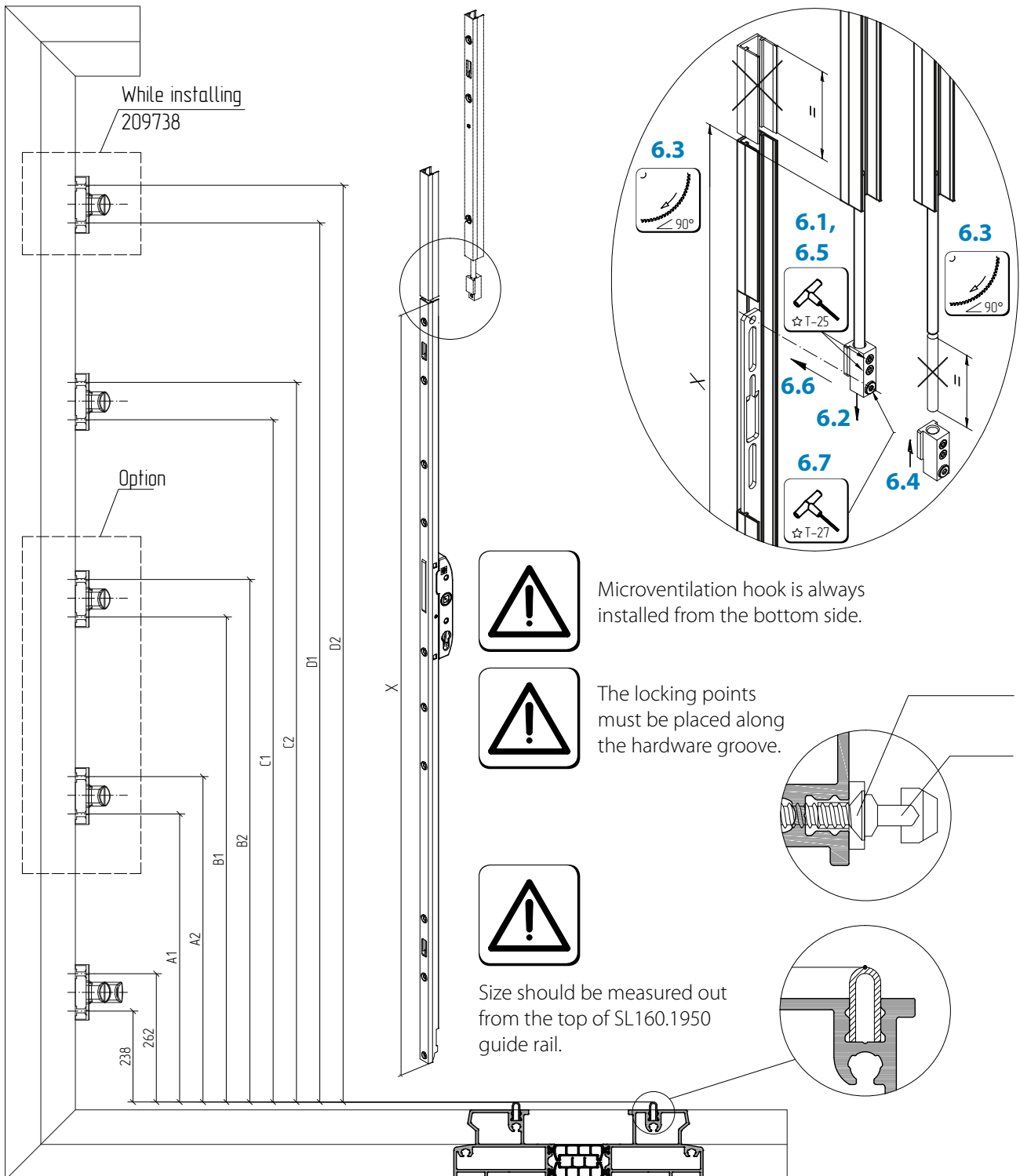
Assembly of ALT SL160 system

6

Complete the structure in accordance with the technical manual.

Installation of the locking elements

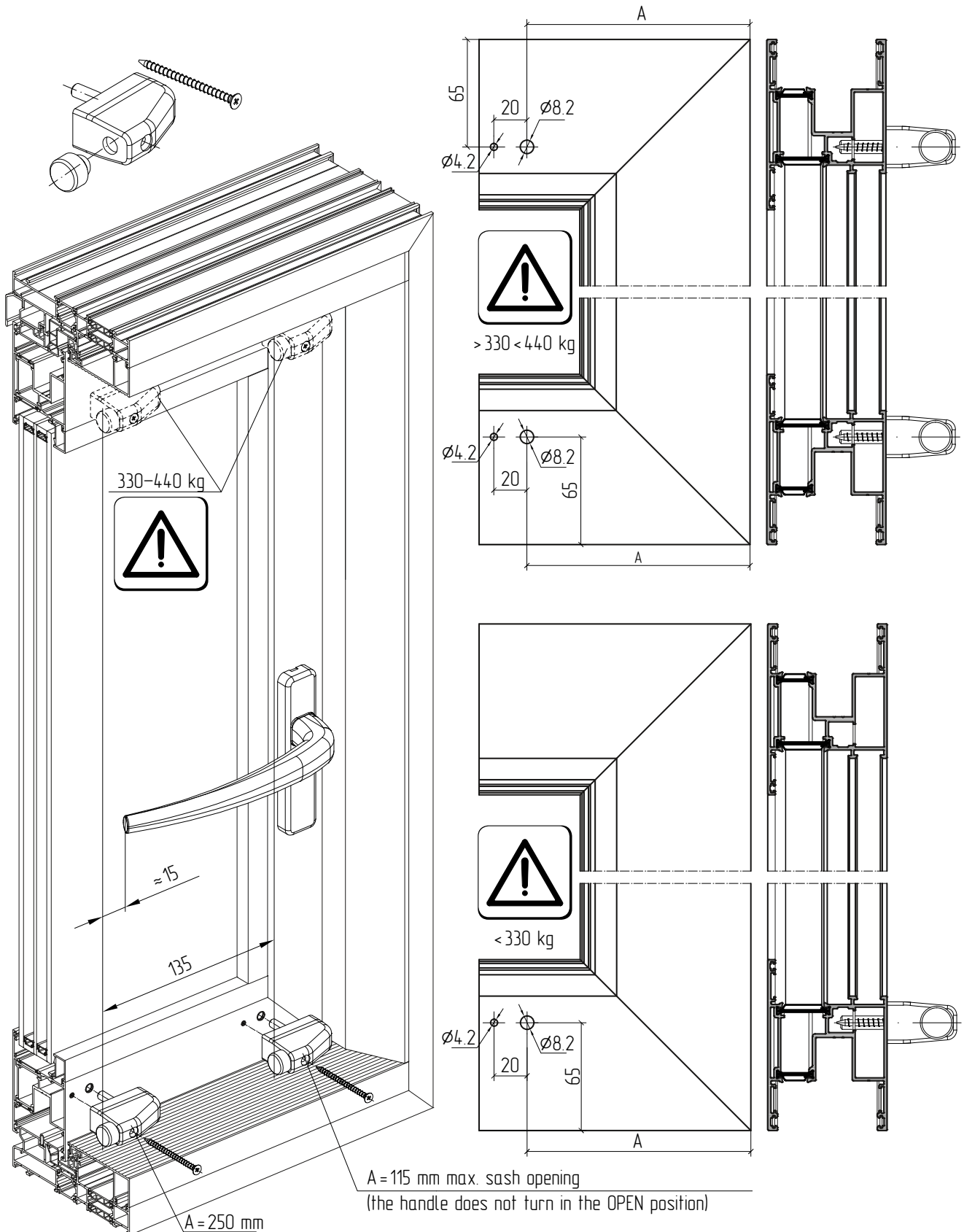
Type	A1, mm	A2, mm	B1, mm	B2, mm	C1, mm	C2, mm	D1, mm	D2, mm	X, mm
Gr.180	588	612	988	1012	-	-	-	-	-
Gr.210	738	762	1188	1212	1588	1612	-	-	-
Gr.240					1888	1912	H _{HC} -282	H _{HC} -306	H _{HC} -684
Gr.270					2188	2212			



Assembly of ALT SL160 system

Stop installation on the lift and slide sashes

187480 kit (white), 187477 (black)



For service issues contact door installer:

Name: _____

Tel: _____

E-mail: _____

For further details and advice please visit
www.alutech-group.com

ALUMINTECHNO JLLC
12 Selitskogo Street, Minsk,
220075, Republic of Belarus
phone: +375 (17) 311 05 00
fax: +375 (17) 311 05 01

